



## **CLEANSOURCE®** **HD625 UPS**

---

50Hz | 625kW | 380/400/415V  
FLYWHEEL TECHNOLOGY



# CLEANSOURCE® HD625 UPS

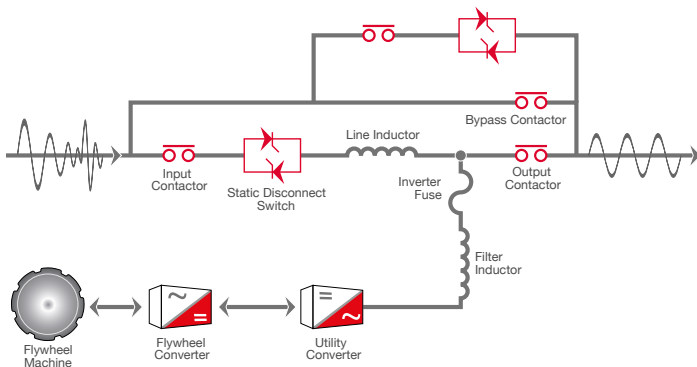
## Overview

Active Power's CLEANSOURCE® HD625 delivers 40% TCO savings, is 12 times less likely to fail, and reduces your impact on the environment by 90%. Based on a field-proven design, our flywheel UPS is a perfect fit for today's mission-critical applications in data centers, health care facilities, and industrial and manufacturing sites.

## Parallel Online Architecture

The CLEANSOURCE® HD625 is rated at 625kVA/625kW. Up to 7 UPS systems can be paralleled for redundancy or capacity, supporting over 4.3MW of back-up power in a single paralleled system.

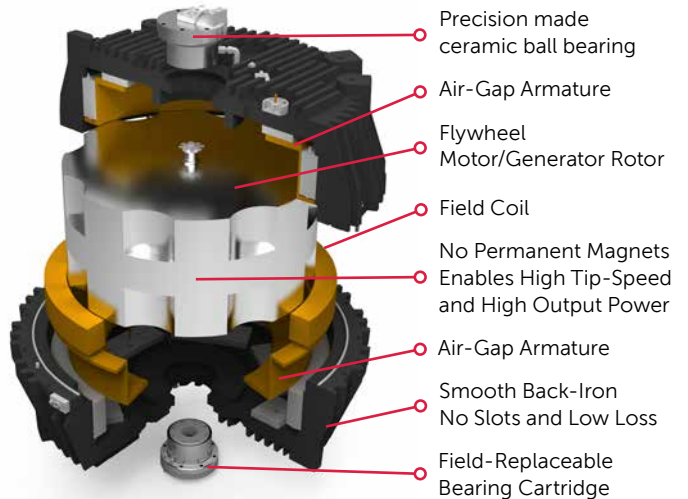
Active Power's Parallel Online Architecture provides excellent isolation between input and output, while delivering a clean sinusoidal waveform to critical loads. CLEANSOURCE® HD625 UPS is able to protect against all nine IEEE power disturbances, such as voltage fluctuations, harmonics and complete power outage.



## Service and Maintenance

Active Power has designed the CLEANSOURCE® HD625 with ease of maintenance in mind to ensure your critical power infrastructure operates with the utmost reliability. CLEANSOURCE® HD625 requires one simple and non-invasive annual maintenance. A streamlined maintenance schedule both restores your UPS to factory-like condition and reduces downtime during its operating life, thereby improving the availability of your operation.

## FLYWHEEL TECHNOLOGY



- ▶ STORES 10.2 MJ OF ENERGY
- ▶ UP TO 1 MINUTE OF RUN-TIME (LOAD DEPENDENT)
- ▶ WIDE OPERATING TEMPERATURE RANGE FROM 0°C TO 40°C
- ▶ HIGH DENSITY, HIGH EFFICIENCY DESIGN

## KEY BENEFITS AND FEATURES

- ⊖ UP TO 98% EFFICIENT
- ⊖ HALF THE SPACE OF LEGACY BATTERY-BASED UPS
- ⊖ LOWER INSTALLATION COSTS
- ⊖ LESS HEAT REJECTION
- ⊖ LOWER COOLING REQUIREMENTS
- ⊖ LOWER MAINTENANCE AND SERVICE
- ⊖ COST-EFFECTIVE INSTALLATION
- ⊖ GENERATOR COMPATIBILITY
- ⊖ 20-YEAR DESIGN LIFE

# 40%

## TCO SAVINGS

PERMANENT ENERGY STORAGE

UP TO 98% ENERGY-EFFICIENT

LESS EXPENSIVE TO INSTALL  
AND COMMISSION

# 12x

## LESS LIKELY TO FAIL

MOST RELIABLE ENERGY  
STORAGE SYSTEM

MINIMISE RISK AND DISRUPTION  
FROM MAINTENANCE  
AND REPLACEMENT

# 9x

## LESS CARBON EMISSIONS

90% LESS CARBON USED  
IN UPS MANUFACTURE

OVER 40% LESS CARBON  
EMITTED OVER 15 YEARS

CLEANSOURCE® HD625 combines a competitive initial cost with lower ongoing operational expense – up to 40% lower than traditional UPS over 15 years. The result is a dramatic TCO benefit for your application, with net savings.

### ► SUPERIOR ENERGY EFFICIENCY

Over 96% efficient at 40% load.

### ► REDUCED COOLING NEEDS

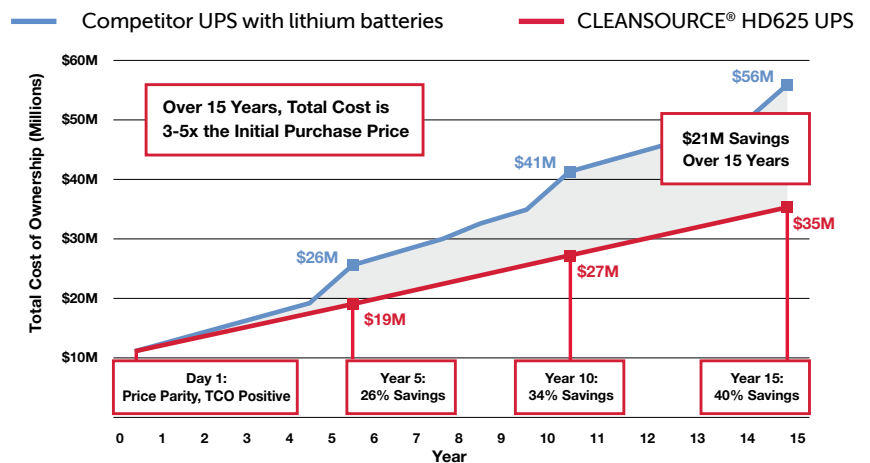
No need for dedicated cooling for batteries

### ► LOWER MAINTENANCE REQUIREMENTS

Routine annual check-up and bearing change every third year.

### ► NO BATTERY CHANGES

Integrated flywheel with 20-year life.



Proven to be 12 times less likely to fail than a battery-based system, the integrated flywheel energy storage of the CLEANSOURCE® HD625 UPS makes it inherently reliable, delivering predictable, consistent back-up power. The flywheel is constantly spinning, storing kinetic energy and ready to assume the load in case of a power outage. By contrast, battery failures are the leading cause of UPS load loss and system downtime.

CLEANSOURCE® HD625 UPS is the smart and responsible choice for the environment, saving thousands of tons of carbon from being emitted. The integrated flywheel permanent energy storage uses up to 90% less embedded carbon to manufacture versus lead-acid batteries. CLEANSOURCE® UPS high efficiency and lower cooling requirements contribute to lower power consumption and reducing operational carbon emissions by 40% over the life of the product. In comparison with lead-acid batteries, flywheels last up to 20 years, are not toxic, take up 50% less space and require less maintenance.

50Hz | 625kW | 380/400/415V

# PRODUCT SPECIFICATIONS

RATING		
Maximum kVA	625	
Maximum kW	625	
INPUT		
Voltage <sup>1</sup>	380/400/415 VAC 3-phase, 4-wire plus ground	
Voltage Range <sup>2</sup>	+10% / -15% at 400/415V (programmable)	
Frequency	50 Hz +/- 10% maximum (programmable) +/- 3% (default)	
Power Factor	0.99 at rated load and nominal voltage	
Harmonic Current Distortion	Linear load	<2% at 100% load
	Non-linear <sup>3</sup>	<5% at 100% load
Current – Nominal (380 VAC)	990A	
Current – Nominal (400 VAC)	940A	
Current – Nominal (415 VAC)	906A	
Current – Maximum	1200A	
Surge Withstand	Meets IEEE 587/ANSI C62.41	
Walk-in	1 to 15 seconds (programmable)	
Internal Back Feed Protection	Yes	
OUTPUT		
Voltage	380/400/415 VAC 3-phase, 4-wire plus ground	
Voltage Regulation	Steady State	+/-1% for +/-10% input
	Flywheel Mode	+/-1% steady state
	Transient	+/-1% within 50 mSec for 100% load step
Voltage Distortion <sup>3</sup>	<1% linear loads and <5% for 100% non-linear loads	
Inverter	PWM with IGBT switching	
Frequency	50Hz (mains synchronized) (normal operation +/- 0.2% free running)	
Load Power Factor Range	0.7 lagging / 0.9 leading without derating	
Slew Rate	Adjustable from 0.2Hz/second to 3.0Hz/second	
Current – Nominal (380 VAC)	951A	
Current – Nominal (400 VAC)	903A	
Current – Nominal (415 VAC)	871A	
Overload Capability-Mains Operation	Cont:	105%
	10 min:	<110%
	5 min:	<125%
	1 min:	<150%
	10s:	<200%
Immediate:	>200%	
UPS Efficiency <sup>4</sup>	96.5% @ 50% load - up to 98% @ 100% load	
ENERGY STORAGE		
Type	Integrated Steel Flywheel spinning at 7,700RPM	
Flywheel Run Time (% Load)	100%:	16s
	75%:	21s
	50%:	31s
	25%:	58s
Flywheel Recharge Time	< 2 min (nominal) at 175kW	
	3 min (programmable) at 100kW	

GENERAL DATA		
Parallel Capability	Yes, up to 7 systems	
Internal Static Bypass	Included	
Control Panel	10-inch Colour Touch Screen Graphical Display	
Withstand Capability <sup>5</sup>	65kA	
Remote Monitoring	Yes (optional)	
External Customer Contacts	8 Input and 8 Outputs (programmable)	
ENVIRONMENTAL		
Audible Noise	<83dBA at 1 metre	
Temperature	Operating	32 to 104°F (0 to 40°C)
	Storage	-13 to 158°F (-25 to 70°C)
Humidity	5% to 95% (non-condensing)	
Altitude <sup>4</sup>	Up to 1,000m 1.2°C derating for every 300m above 1000m	
Emissions and Immunity	EN 62040-2	
Heat Rejection – Online	19.78kW / 67,522 BTU/hr	
PHYSICAL DATA		
Height	80in/2,032mm	
Width	132.0in/3,353mm	
Depth	39in/991mm	
Weight	12,718,lbs/5,769kg	
Cable Entry	Top or Bottom	
Safety	EN 62040-1-1	
ADDITIONAL OPTIONS		
3-wire Input		
Dual Input		
Remote SNMP/MODBUS Monitoring		
CSView - Real time Monitoring		
GenSTART - Generator Start Power		
Remote EPO		
Floorstand Kit		
Remote Status Panel		
SYSTEM FEATURES		
Online and Fault-Tolerant UPS		
Predictable Flywheel Energy Storage		
20-year Design Life		
Wide Operating Temperature Range		
Quick Recharge Time		
Low Maintenance and Service		
Comprehensive Service and Support		
Multi-vendor Generator and Switchgear Compatibility		
Simple and Cost Effective Installation		
No Hazardous Waste Material		
Field Proven Reliability		

<sup>1</sup> From grounded WYE source

<sup>2</sup> +/-10% at 380VAC

<sup>3</sup> EN 62040-3

<sup>4</sup> DC energy storage offline

<sup>5</sup> Design per UL891



Active Power Inc. 2128 West Braker Lane, Austin, TX 78758

Active Power Inc. is a division of the Pillar group

Pillar Australia | Pillar China | Pillar France | Pillar Germany | Pillar India | Pillar Italy | Pillar Singapore | Pillar Spain | Pillar UK | Pillar USA